

Baby stroller
WA18

INSTRUCTION MANUAL

Important:Keep these instructions for future reference.

WARNING:Don't carry additional children, bags, goods or accessories in the stroller except those recommended by the manufacture.

WARNING:To avoid injury ensure that your child is kept away when unfolding and folding this product.

WARNING:Never leave your child unattended.

WARNING:Do not let your child to play with this product.

WARNING:Before making adjustments to the stroller, ensure that the child's body is clear of any moving parts.

WARNING:Always use the restraint system.

WARNING:Child may slip into leg openings and strangle. Never use in reclined carriage positions.

WARNING:Do not allow the child to stand up on the seat.

WARNING:This stroller is designed for one child only.

WARNING:Any load attached to the handle and/ or on the back of the backrest and/ or on the sides of the vehicle will affect the stability of the vehicle.

WARNING:Do not use on escalators or stairs. Fold the stroller and carry it by hands.

WARNING:Check that the pram body or seat unit or car seat attachment devices are correctly engaged before use.

WARNING:This product is not suitable for running or skating.

WARNING:Always activate the brakes when stop the stroller, put or take off any accessories.

WARNING:Ensure that all the locking devices are engaged before use.

WARNING:Any goods carried in the basket should not exceed 3 kg;

WARNING:Do not overload as the stroller may become unstable. Maximum weight must not exceed 22kg in the seat unit.

WARNING:Do not add additional mattress thicker than 20mm.

WARNING:This seat is suitable for children from 6 to 36 months.

Maximum weight of the child :22kg.

WARNING:Use a harness as soon as your child sit unaided. .

WARNING:Do not use the stroller near open fire, exposed flame, barbecue or heater.

WARNING:Do not use the stroller if any screws, nuts, bolts, etc. are missing or any component is damaged.

WARNING This seat unit is not suitable for children under 6 months.

WARNING:Do not lift the stroller by the bumper bar it may disengage.

WARNING>Note that the fabric patterns and stroller accessories in this instruction may vary from the one you have purchased.

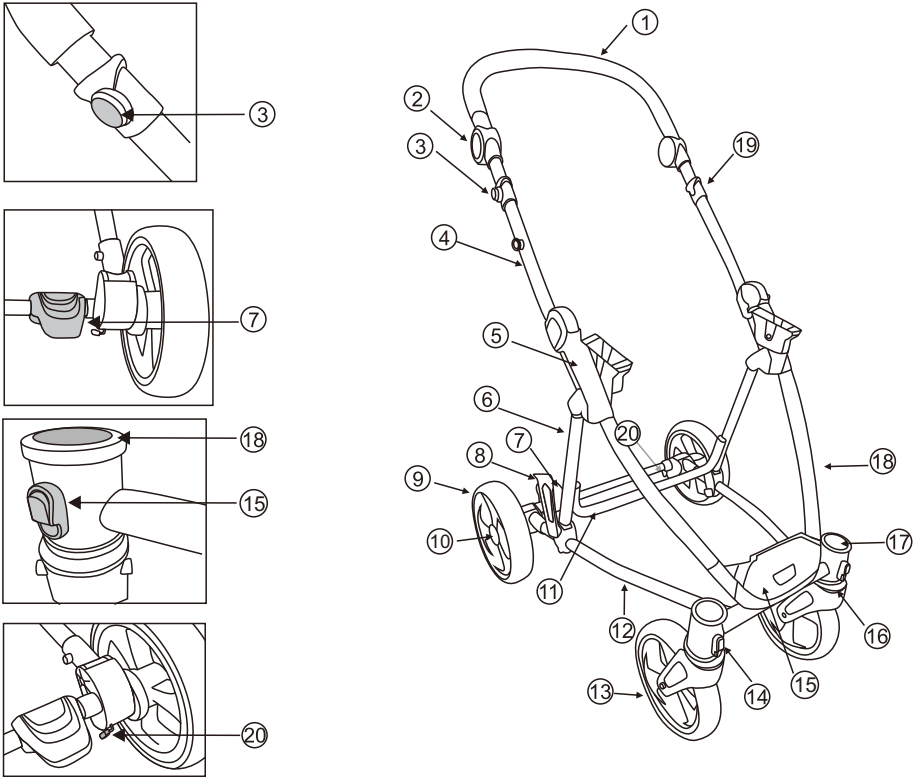
WARNING:Only replacement parts supplied or recommended by the manufacturer/ distributor shall be used.

WARNING:Always apply the brakes when the pushchair is stationary,and when placing and removing children.

WARNING:The chassis is suitable for 0 month seat unit, 6 month seat unit, 2in1 seat unit, car seat and carry cot.

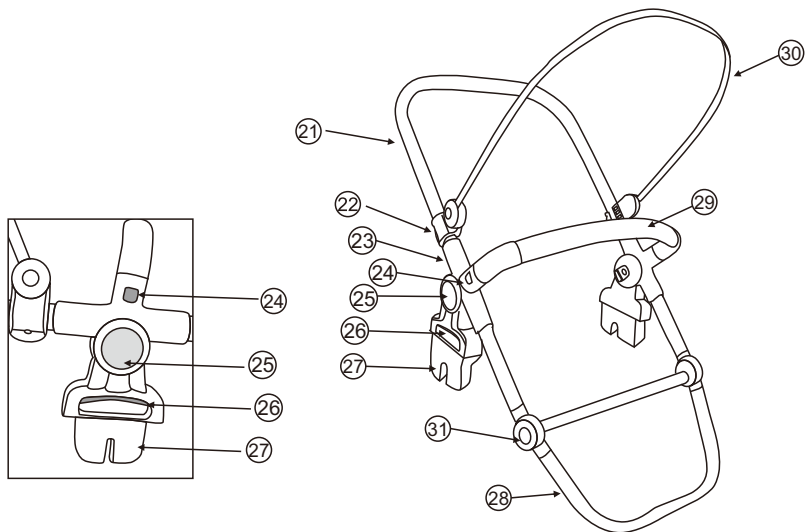
This product complies with EN 1888-2:2018.

Schematic diagram of frame parts



- | | | |
|--------------------------------|----------------------------------|---|
| 1. Handle grip | 9. Rear wheel | 17. Quick release button of the front wheel |
| 2. Adjustable handle | 10. Wheel cap | 18. Front leg tube |
| 3. Safety latch release button | 11. Crossbars | 19. Folding lever |
| 4. Handle tube | 12. Rear leg tube | 20. Quick release of the rear wheel |
| 5. Main connector | 13. Front wheel | |
| 6. Supporting tube | 14. Front wheel directional lock | |
| 7. Brake and release pedal | 15. Footrest | |
| 8. Auto lock | 16. Front wheel socket | |

Schematic diagram of seat unit parts



21. Seat unit upper

22. Canopy holder

23. Connectors of seat unit

24. Safety bar button

25. Seat unit adjustment

button

26. Seat unit release catch

27. Seat unit base

28. Seat unit bottom

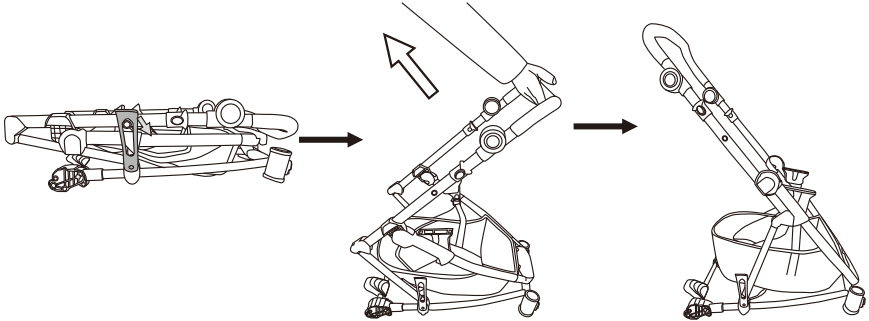
29. Safety front bar

30. Canopy frame

31. Footrest adjustment
buttons

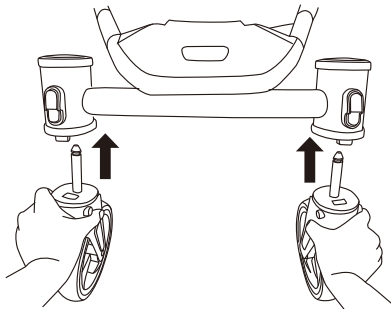
To open the stroller

Gently prise open the safety catch and lift the handle of the pram until the chassis clicks into place.



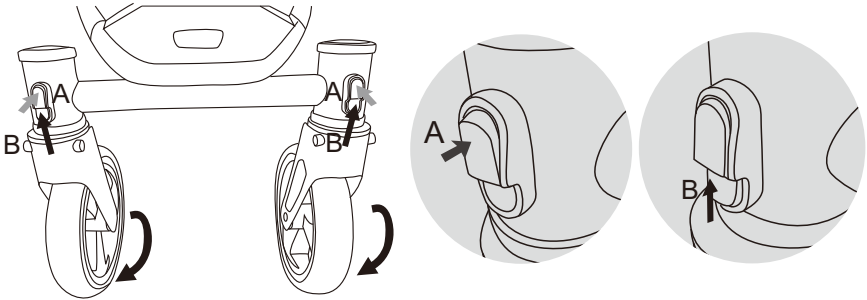
Front wheel Installation

Installation: insert the front wheel axles into the connect hole until you hear a click sound, make sure it's installed in place. Repeat this process for both swivel wheels.



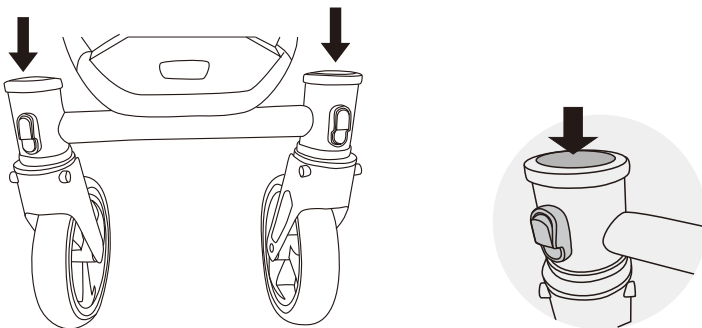
The front wheels directional use

Push in the upper part of the direction lock to lock the front wheel (as A shows), push up the button to achieve 360degree rotation (as B shows).



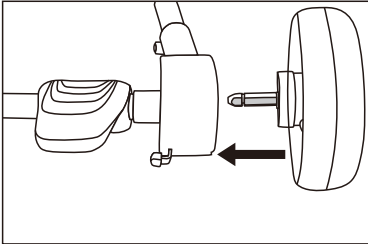
Remove the front wheels

Press down the quick release button of the front wheels to release the front wheel.



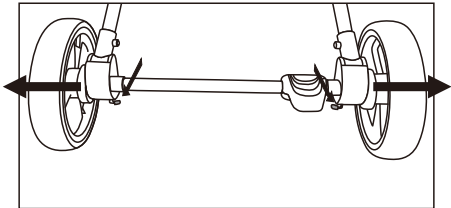
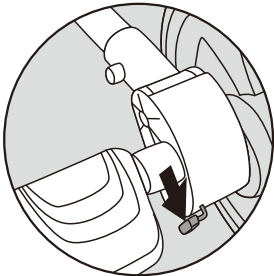
Rear wheel assembly

Adjust the direction of the rear axle, make sure you have correctly lined up the flat edge on the axle with the flat edge of the hole. Then push the rear axle into the hole, until you hear a click sound. Ensure that it is engaged before use.



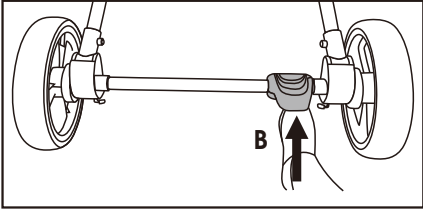
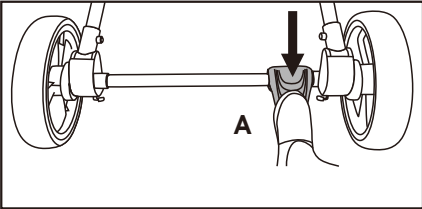
Remove the rear wheels

Pull the tab as shown in the below image whilst removing the wheels.



To use brakes

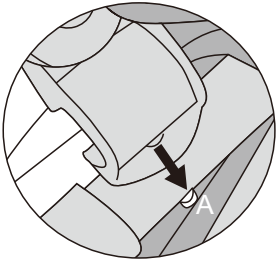
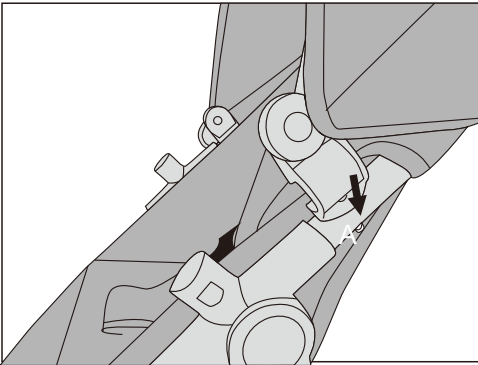
- 1. Step down the brake pedal until you hear a click sound to engage brake mechanism(A).
- 2. Lift up the brake pedal to unlock the brakes(B).



WARNING: Please ensure the brakes are always applied when the stroller is not in use.

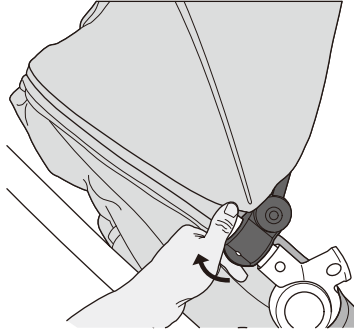
Canopy release

Fix the attachment brackets of the canopy to the metal construction (Point A).



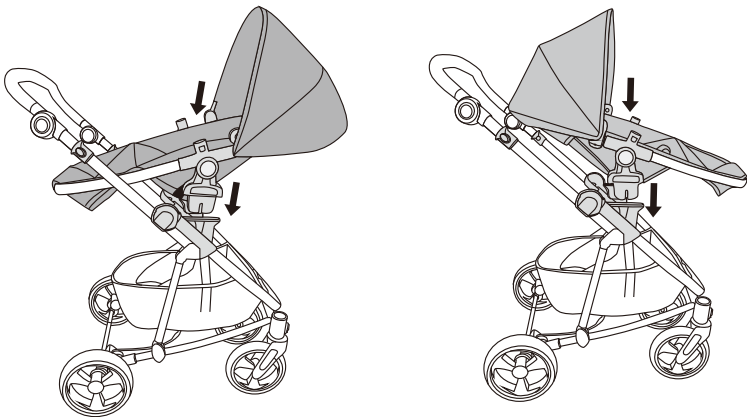
Canopy release

Pull the brackets of the canopy off the metal construction to release.



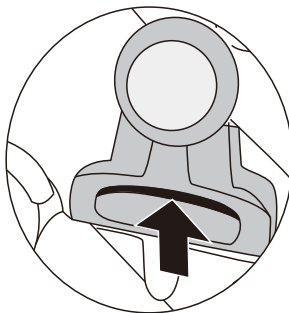
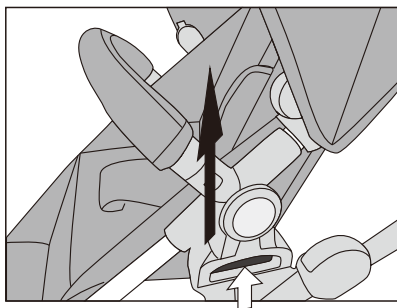
Mounting Seat Unit

Position the seat unit connectors above the connection points on the chassis and press down until you hear a clicking sound. The seat unit can be parent facing or world facing.



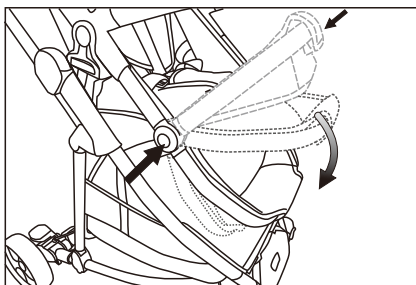
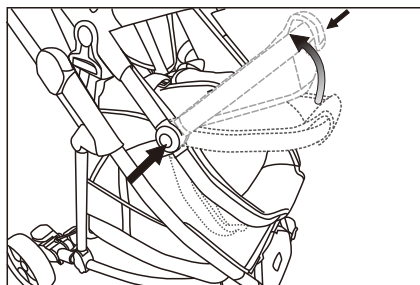
Release Seat unit

Press in the release buttons on each side of the seat unit, and lift the seat unit off the chassis.



Leg rest adjustment

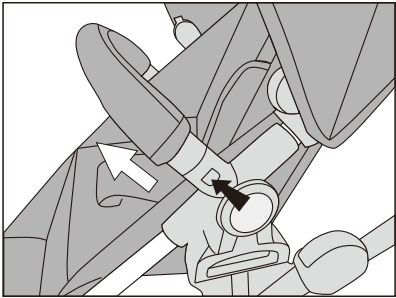
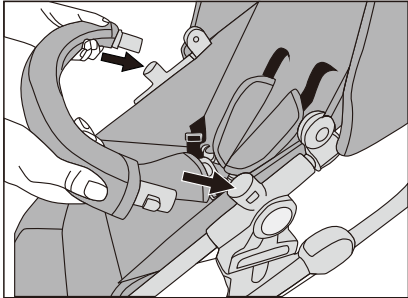
1. Press the adjustable button both sides at the same time to push it up.
2. Press the adjustable button both sides at the same time to push it down.



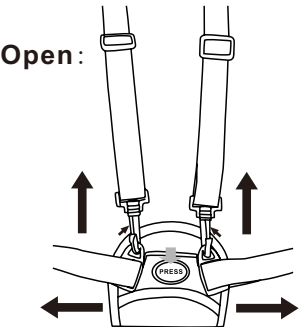
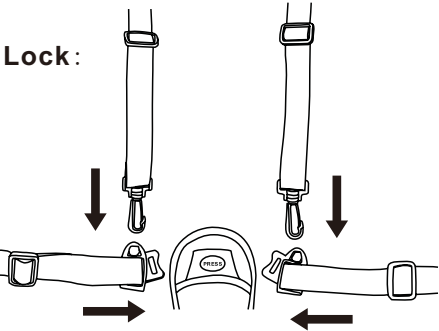
To use bumper/ safety bar

Install: Hold the bumper bar, slide the bumper tips into the connection points until you hear a clicking sound.

Releasing the bumper bar: Push two buttons of each side of the bumper bar while pull it out. Push the button on either side of the bumper bar whilst pulling on the bar.

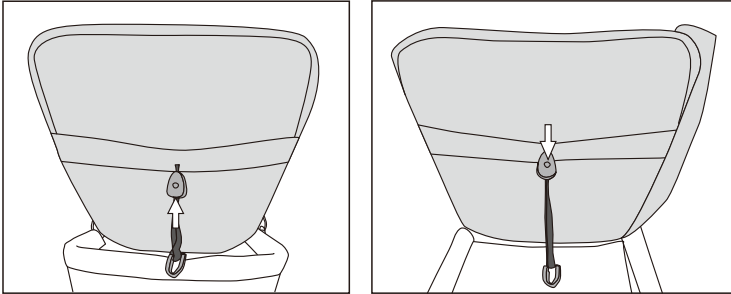


To use safety belts



Backrest adjustment

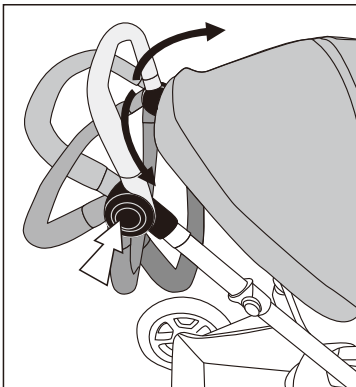
The back rest is adjusted via the pull belt with clasp. To adjust the backrest, pull the belt while holding the clasp to set the seat in sitting position. Pull the ring on the clasp and pull the clasp down to release the seat to lying position.



IMPORTANT:Support the back of the pushchair seat unit when adjusting the angle.

Handle bar adjustent

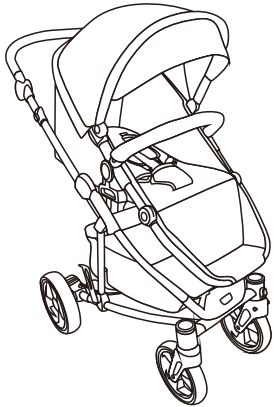
Press the button on both sides at the same time to adjust the handle. There are seven different height adjustments.



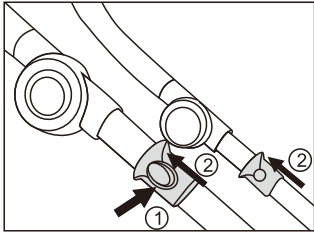
Folding the pushchair

IMPORTANT: Always remove your child from the pushchair prior to installation or folding.

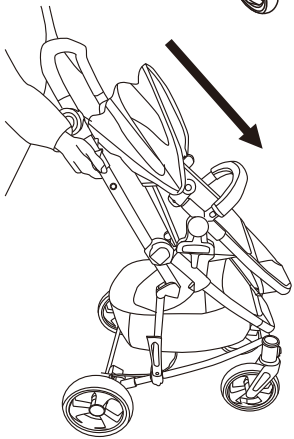
1. The direction of the seat must be forward and adjust the seat unit to minimum angle, make the handle into its original status or lower status when be folded. Remove the seat unit or ensure it is world facing. The handle should be set to the ordinary position or lower.
2. Fold the canopy. Push the hood back to a folded position.
3. Press and hold the safety latch release button(1) on the right handle and at the sametime pull up both release latches(2), Push the handles forward until the pushchair folds in half.



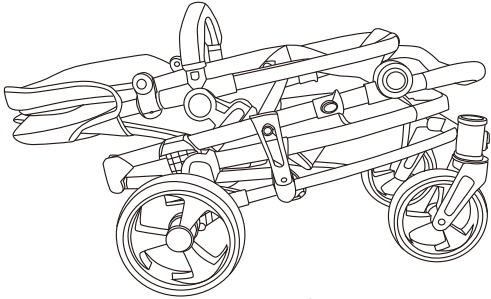
◀ 1



▲ 2



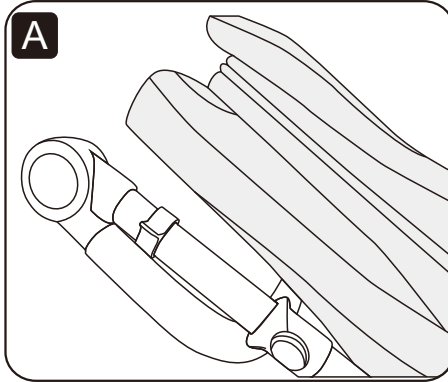
◀ 3



▲ 4

Collect and put stroller

To minimize the volume of the folded stroller, make the adjustable handle into smallest section before folding.(show as A).



Care and maintenance

- 1.Fabric:sponge clean only with a mixture of water and mild detergent. Do not iron. Do not bleach.
- 2.Periodically check for loose and broken parts.
- 3.Exposing the stroller to direct sunlight for long periods may cause fading.
- 4.If the stroller becomes wet, dry the metal parts and store it at cool and ventilate.